



MODEL IDS108

Crane Scale

IDS LOAD CELL
HIGH PRECISION

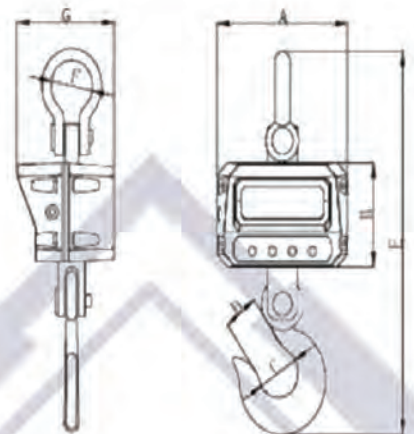
FEATURES:

- CE STANDARD
- CAPACITY FROM 600KG TO 30 TONS
- DURABLE CONSTRUCTION WITH OVERLOAD SAFETY UP TO 200%
- LARGE BRIGHT RED LED (1.5 INCHES)
- TARE , ZERO, HOLD FUNCTION
- AUTO ZERO TRACKING
- POWER SAVING MODE
- REMOTE CONTROL



Specifications:

MODEL	A	B	C	D	E	F	G	DIVISION
IDS108-600K	260	171	50	50	575	87	194	0.2 kg
IDS108-1T	260	171	50	50	575	87	194	0.5 kg
IDS108-2T	260	171	50	50	575	87	194	0.5 kg
IDS108-3T	260	171	50	50	575	87	194	1 kg
IDS108-5T	260	171	60	63	615	89	194	2 kg
IDS108-10T	260	171	75	100	740	100	204	5 kg
IDS108-15T	260	171	82	100	940	137	214	5 kg
IDS108-20T	260	171	90	127	940	137	214	10 kg



The specifications and external design are subject to change without notice for further improvement.

